

Miniature Thermocouple Connector Plug



Features

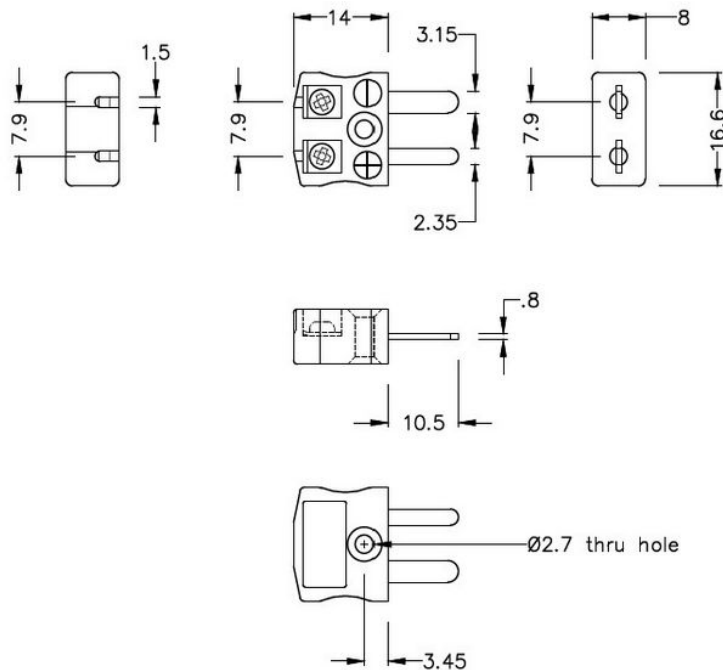
- Miniature connector with flat plug pins
- Easy jab-in connection for rapid termination
- Just push-in wire & tighten screw



Specification

Sensor Type	T
Connector Size	Miniature
Connector Type	Quick Wire Plug
Colour	Brown
Max. Temperature	220 °C
Pins	Flat Pins
+Positive Contact	Cu
-Negative Contact	CuNi
Standards Met	BS EN 50212:1997; RoHS

Drawing



Miniature in-line Plug - Quick Wire
(dimensions in mm)

Art. Nr.
RND 410-00198